



PRODUCT GUIDE

- Suture Needles
- Instruments
- Infusion / Transfusion / Collection
- Hub Needles
- Blades
- Cleaning Products
- Other Products



WELCOME TO THE LATEST BARBER OF SHEFFIELD CATALOGUE OF PRODUCTS

Barber has been supplying the veterinary and medical profession for many years.

The origin of the company is in medical engineering development with an emphasis in suture needles and scalpel blades manufacture. Barber is now one of the leading suppliers of eyed suture needles in the UK with a range that covers over 2000 variants including regular and spring eyed needles.

From these beginnings the company has developed into surgical stainless steel instruments and latterly into infusion, transfusion and other products. We are pleased to be associated with all major wholesalers and all products are available from these sources. If you experience any problems please call us.

You can see all our company ranges on www.barberofsheffield.com and our veterinary range at www.barberveterinary.co.uk



Tel: +44 (0)114 2576022 **Fax:** +44 (0)114 2576222

Email: info@barberofsheffield.com

Web: www.barberveterinary.co.uk / www.barberofsheffield.com

Churchill Way Chapeltown Sheffield England S35 2PY

4-19

SUTURE NEEDLES

20-26

INSTRUMENTS

27-37

INFUSION/TRANSFUSION/
COLLECTION

38

HUB NEEDLES

39

BLADES

40-41

CLEANING PRODUCTS

42-46

OTHER PRODUCTS

47

NOTES



Manufactured from high grade stainless steel, Barber needles undergo a rigorous quality control procedure to ensure a high standard of sharpness, rigidity, durability and presentation.

Needles are hand honed for added sharpness to ensure a smooth, less traumatic passage through tissue.

- In addition to the standard surgeons and post-mortem range, Barber produce a wide range of "special" needles. Needles are offered in regular, spring eye and conventional cutting as well as reverse cutting. Heavier gauge DIN standard can also be supplied.
- Conventional cutting needles have the cutting edge on the inside of the needle curvature and hence directed towards the wound. Suture tension is therefore at the

top of the triangular part of the needle and tissue tear resistance is weak. Reverse cutting needles have the cutting edge on the outside and the flat surface towards the wound. This may offer better resistance against tissue wear. Reverse cutting needles however do require more force to penetrate the tissue.

The following needle drawings represent as near as possible actual size.

EYE TYPES

Regular Eye



Spring Eye



NEEDLE SHAPES



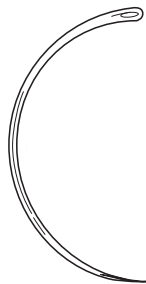
Straight



Half Curved



3/8 Circle



1/2 Circle

POINT TYPES



Triangular Cutting Point



Round Point



Trocar Point

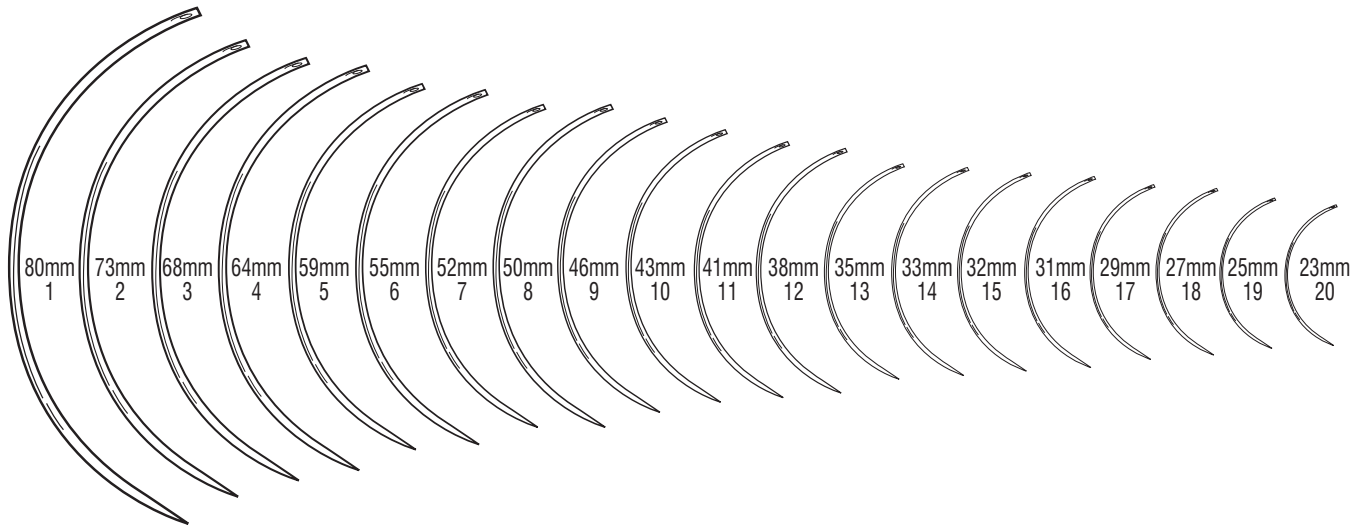


Knife Point

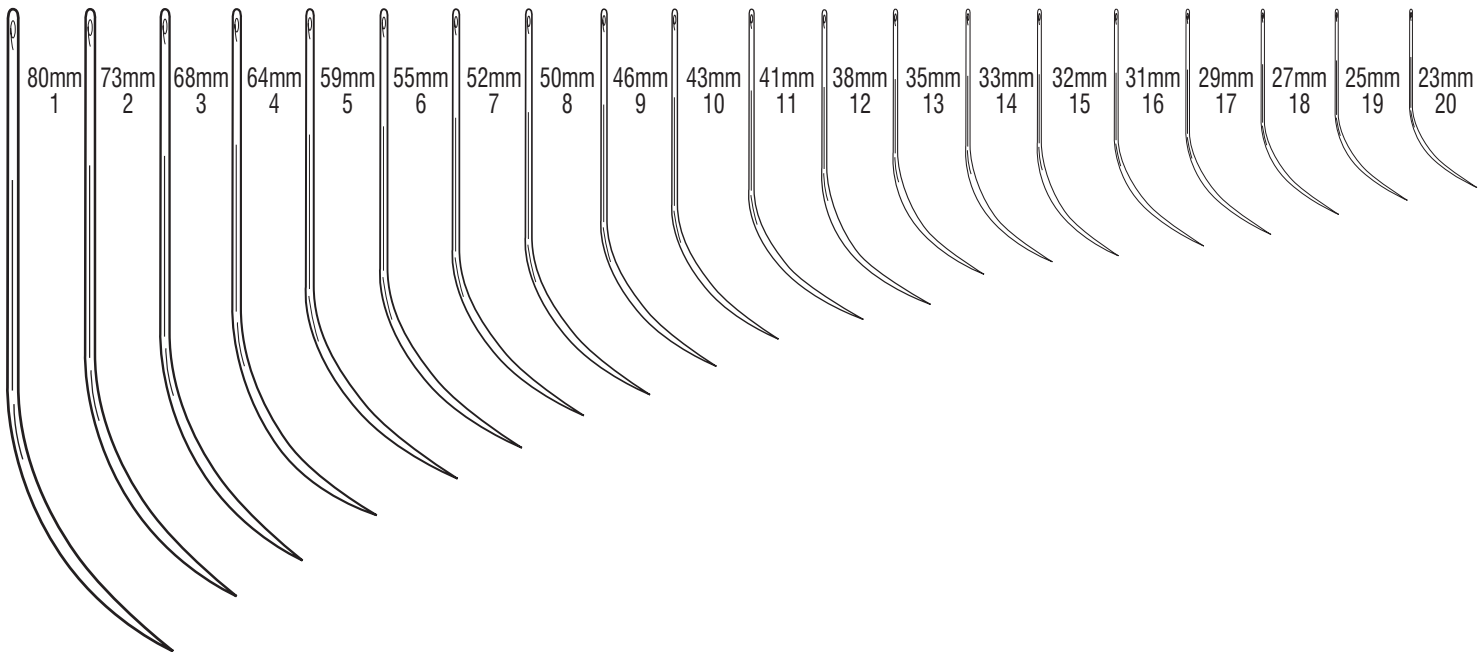


Oval Point

REGULAR CURVED

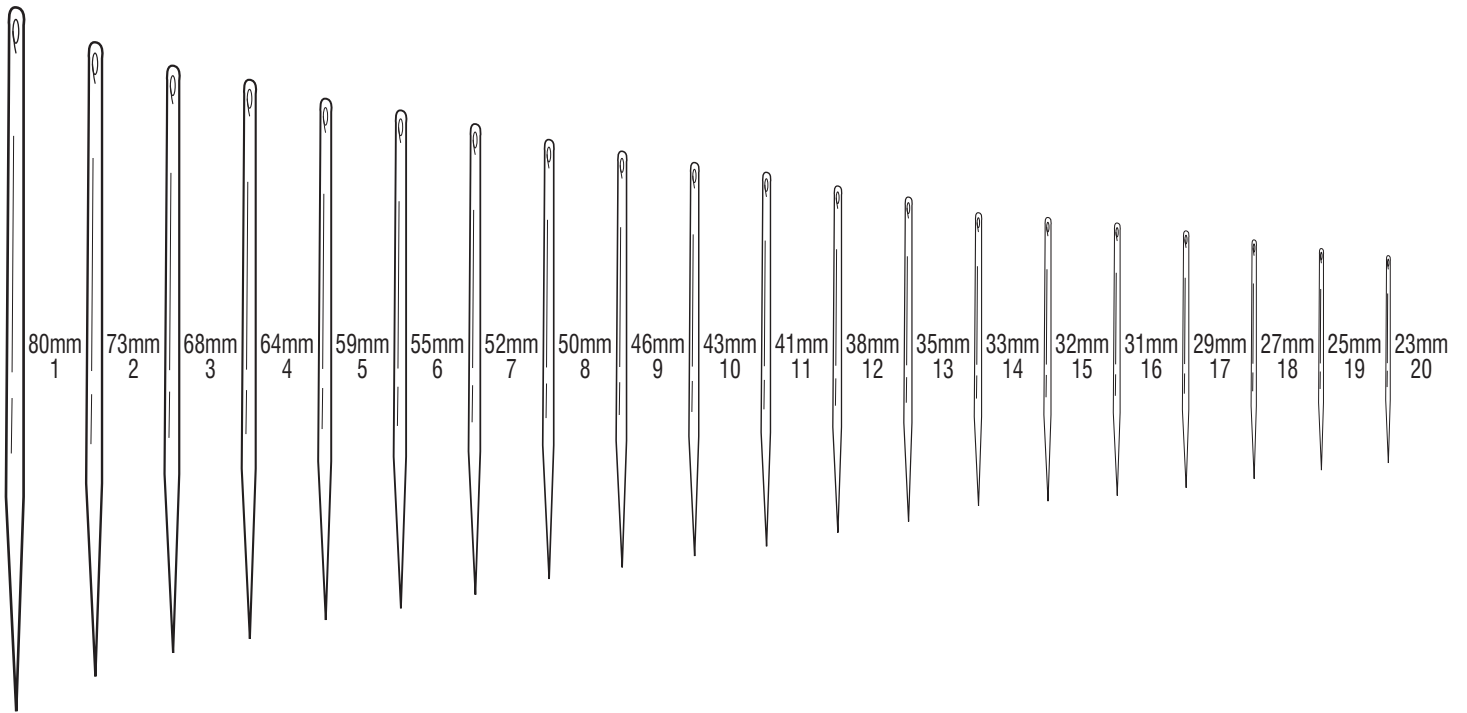


REGULAR HALF CURVED

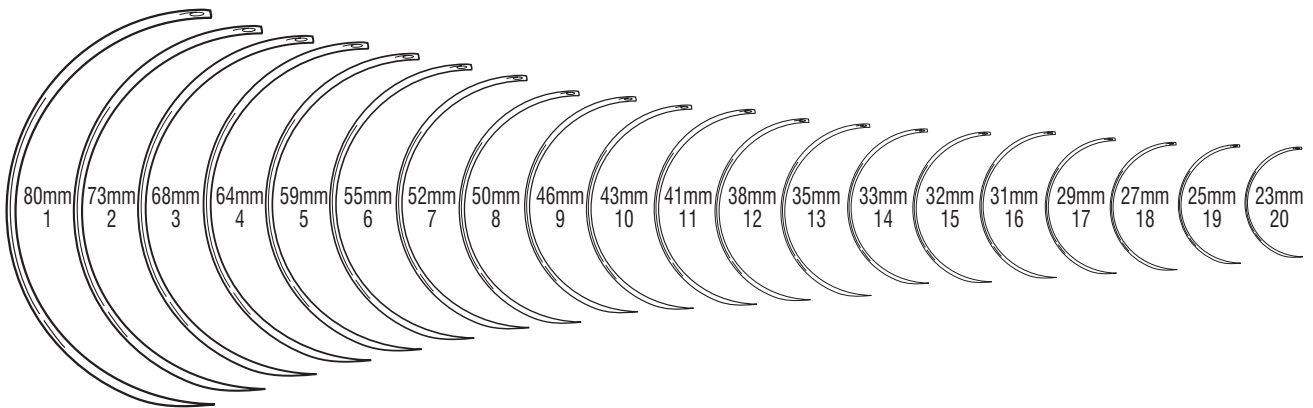




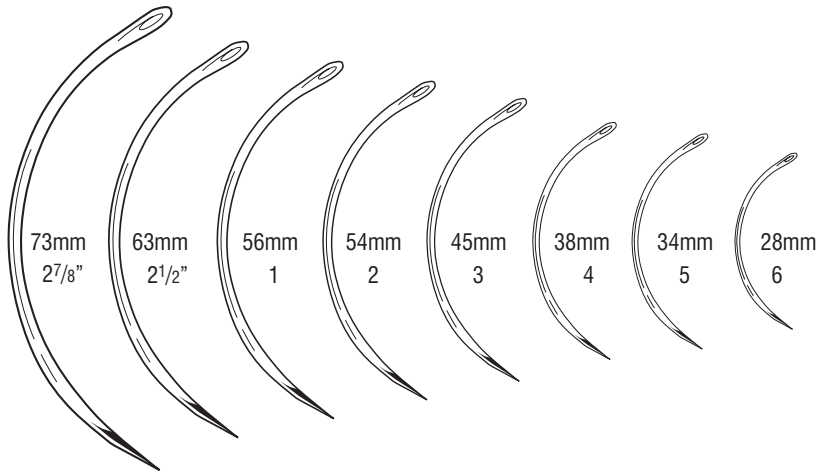
REGULAR STRAIGHT



REGULAR HALF CIRCLE



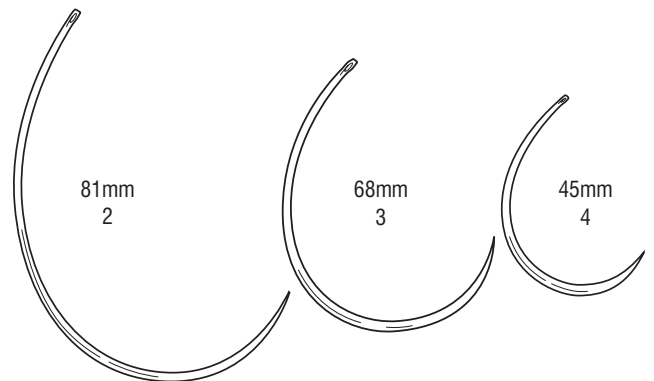
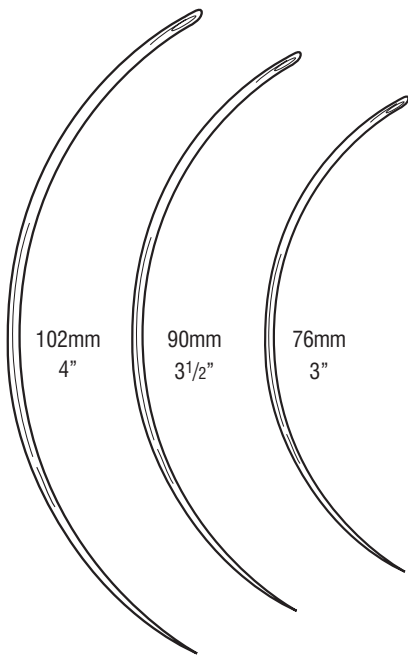
ABSCISSION



COLT'S TENSION



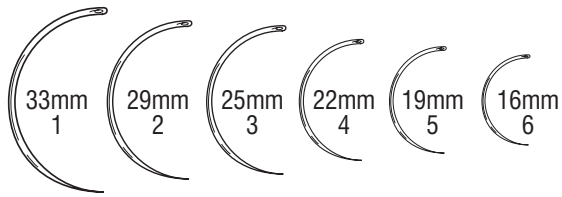
CRUCIATE



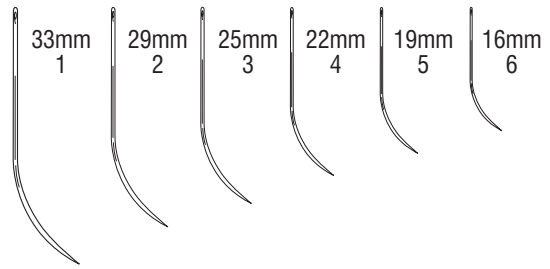
DAVIS TONSIL 1/4 CIRCLE



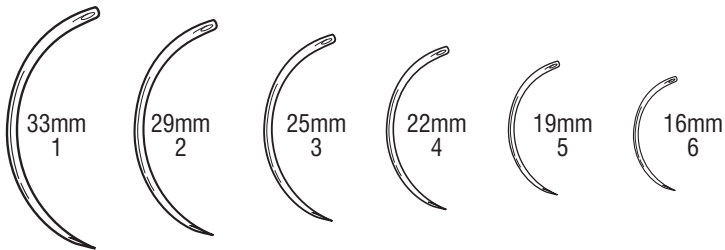
● ▲ EYE HALF CIRCLE



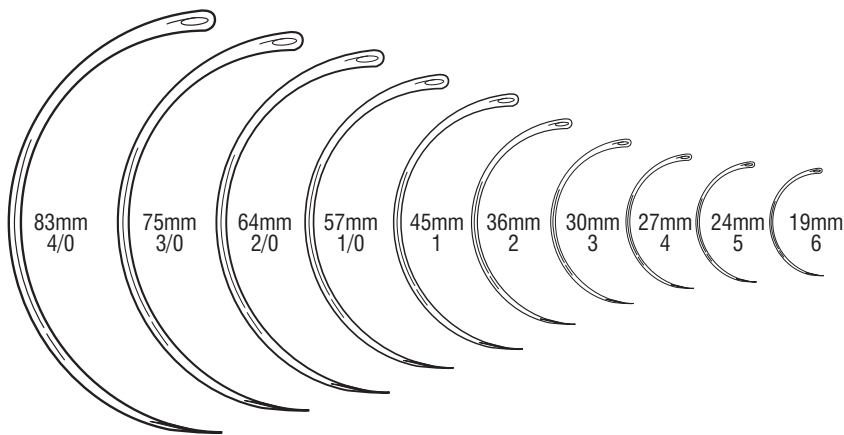
● ▲ EYE HALF CURVED



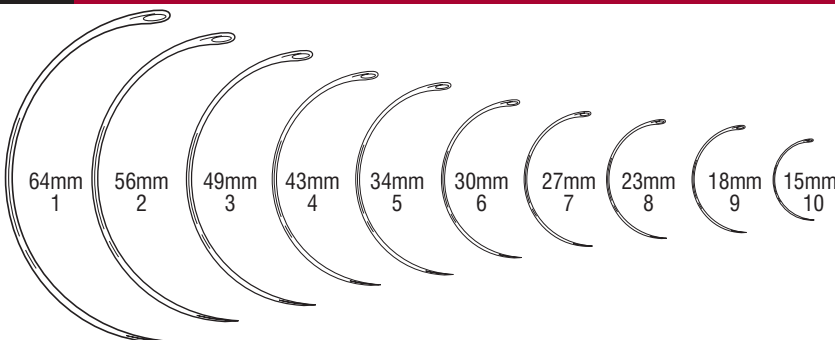
● ▲ EYE 3/8 CIRCLE



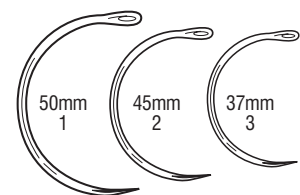
▲ FISTULA HALF CIRCLE TRIANGULAR CUTTING



▲ FISTULA FINE HALF CIRCLE TRIANGULAR CUTTING

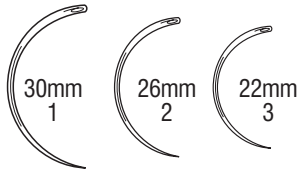


▲ FISTULA EXTRA CURVED

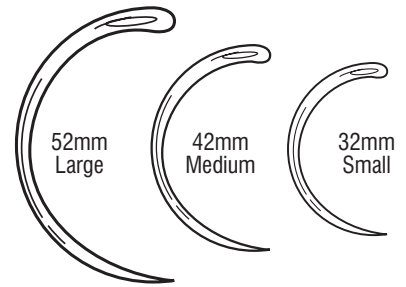


SUTURE NEEDLES

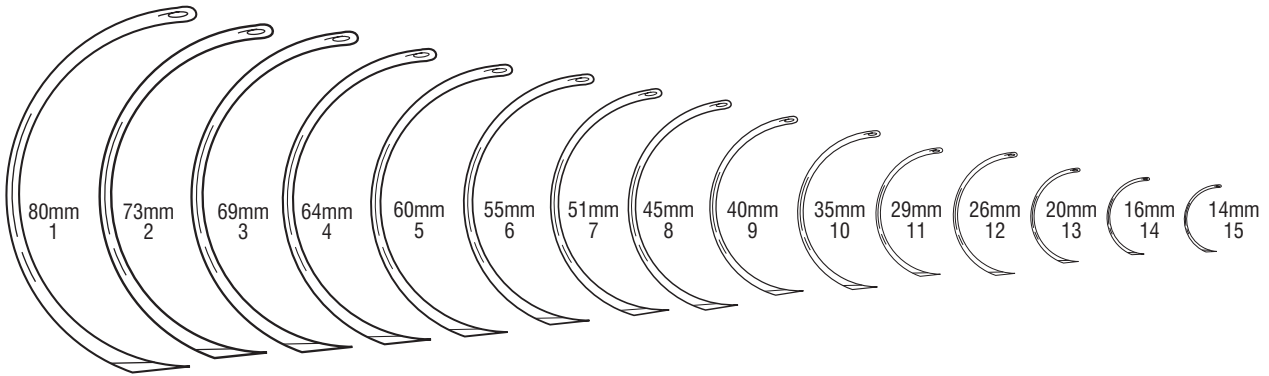
FRENCH'S INTESTINAL SPRING EYE



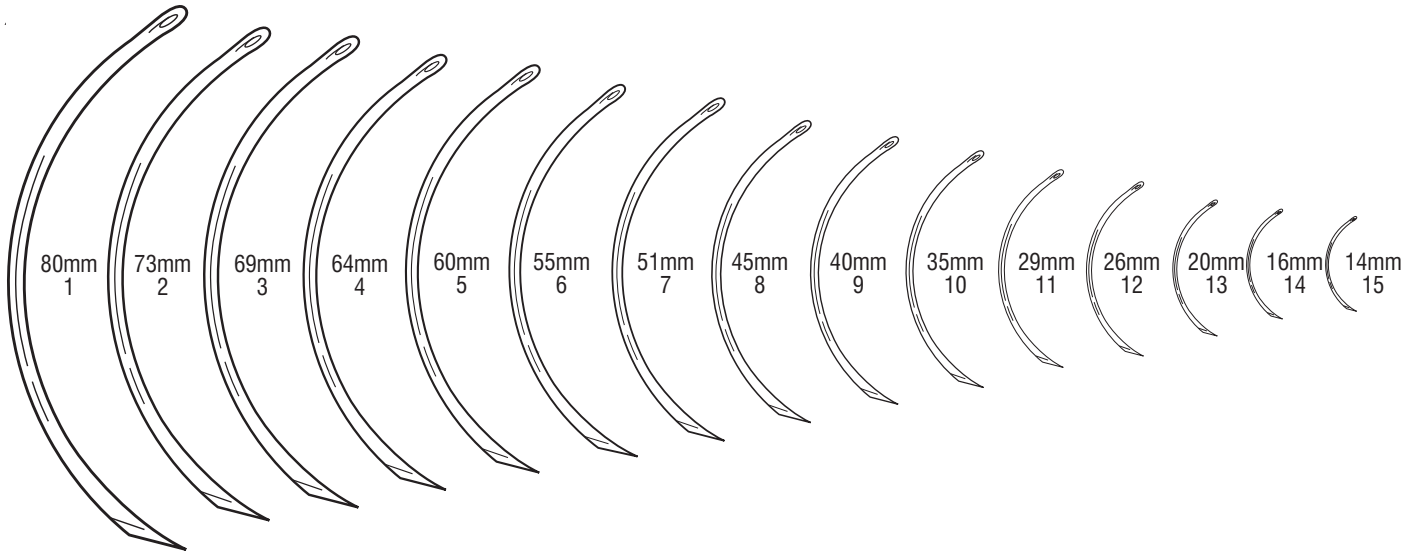
GALLIES FOR LIVING



HAGEDORN'S REVERSED HALF CIRCLE

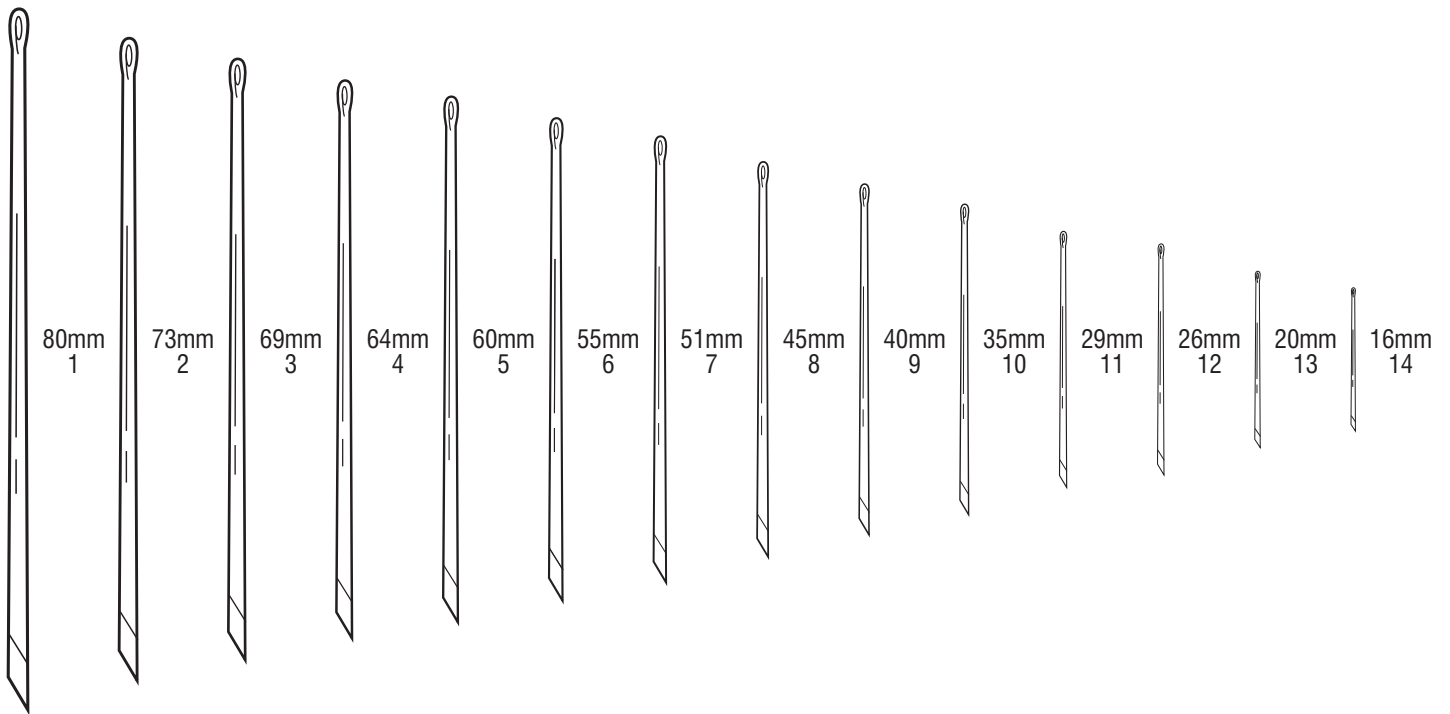


HAGEDORN'S REVERSED CURVED

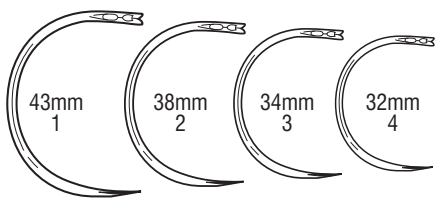




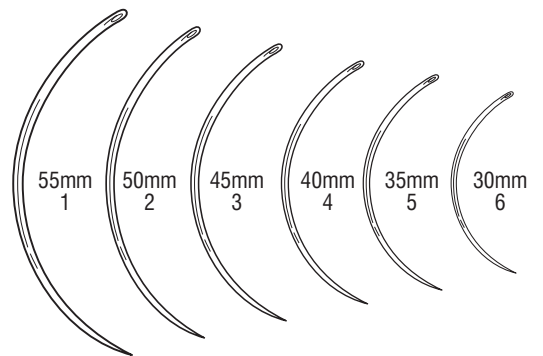
HAGEDORN'S STRAIGHT



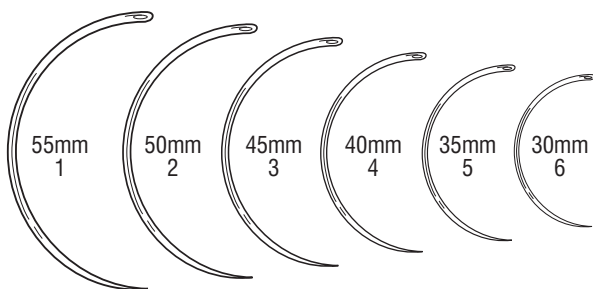
HERNIA HALF CIRCLE



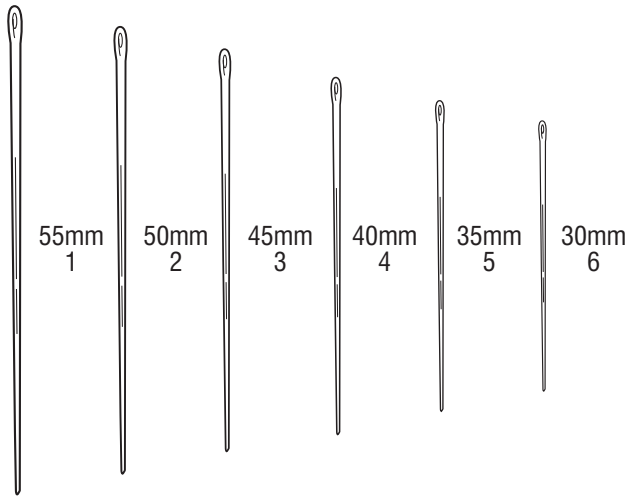
INTESTINAL CURVED



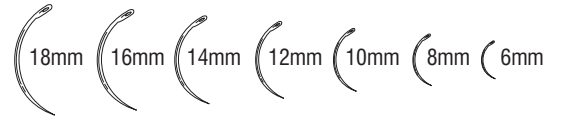
INTESTINAL HALF CIRCLE



INTESTINAL STRAIGHT



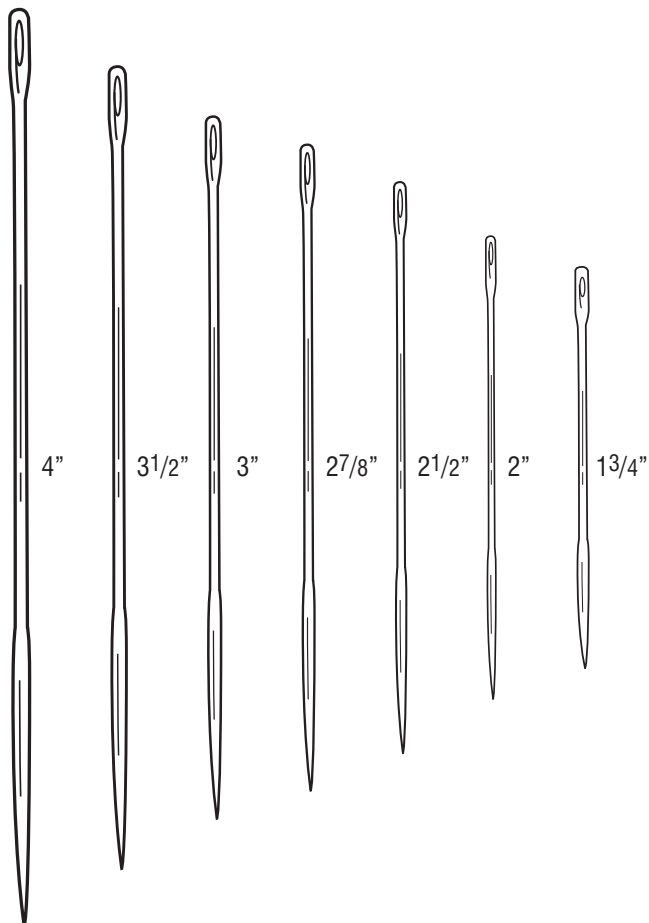
KALT'S CORNEAL



KALT'S CONJUNCTIVAL



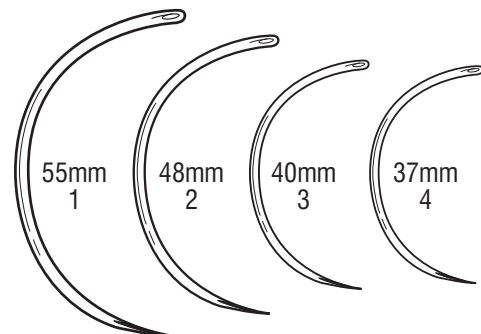
KEITH'S ABDOMINAL



JAMESON'S STRABISMUS

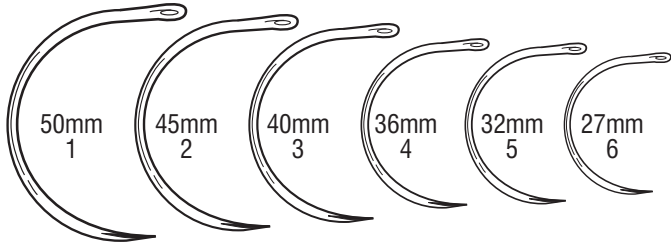


KELLY'S CERVIX

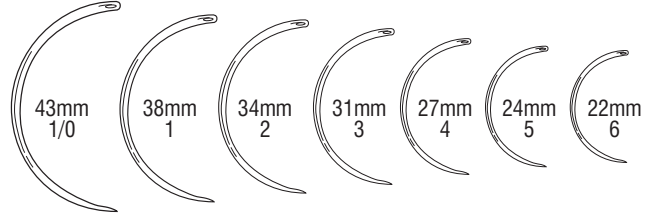




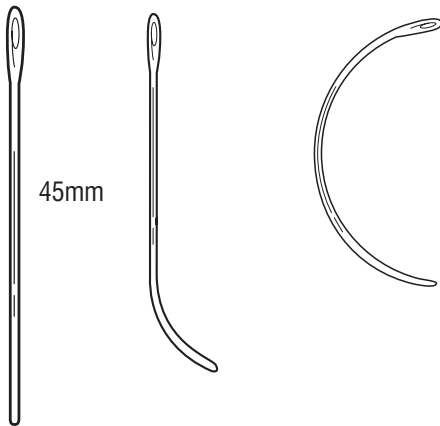
KELLY'S GYNAECOLOGICAL



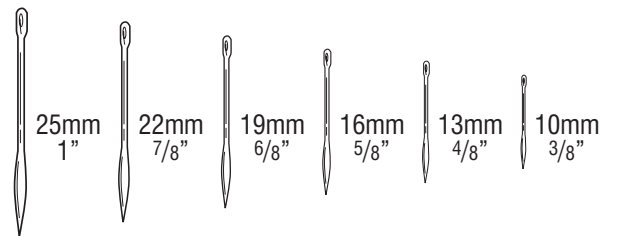
KELLY'S INTESTINAL



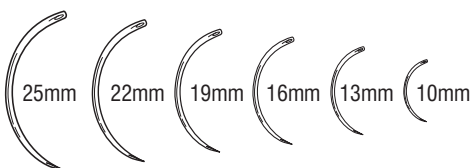
KIDNEY STRAIGHT (BLUNT POINT) / HALF CURVED/HALF CIRCLE



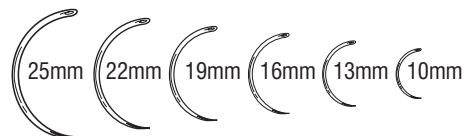
LANE'S CLEFT PALATE STRAIGHT



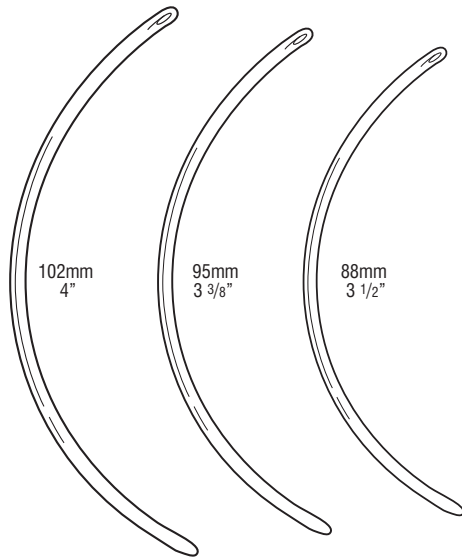
LANE'S CLEFT PALATE CURVED



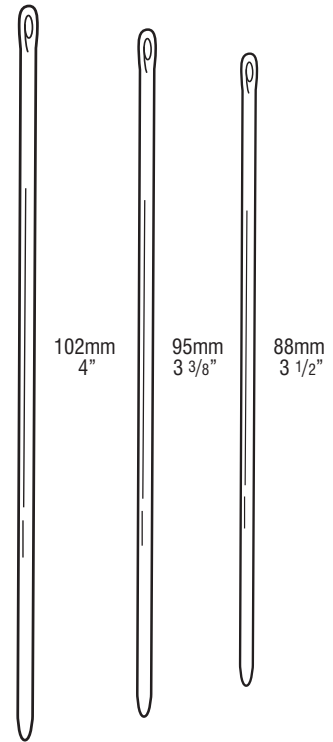
LANE'S CLEFT PALATE 1/2 CIRCLE



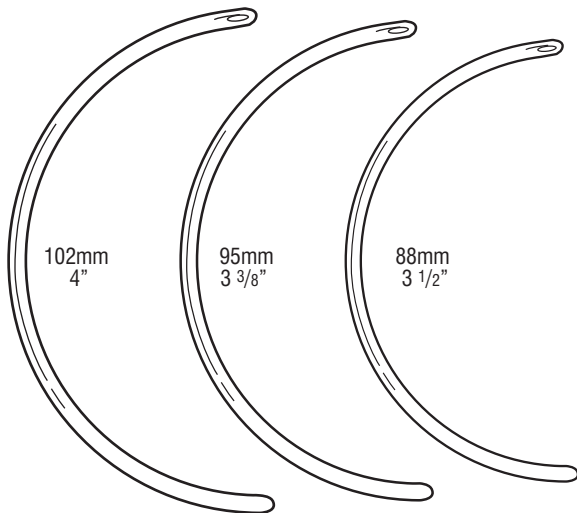
LIVER 3/8 CIRCLE
(BLUNT POINT)



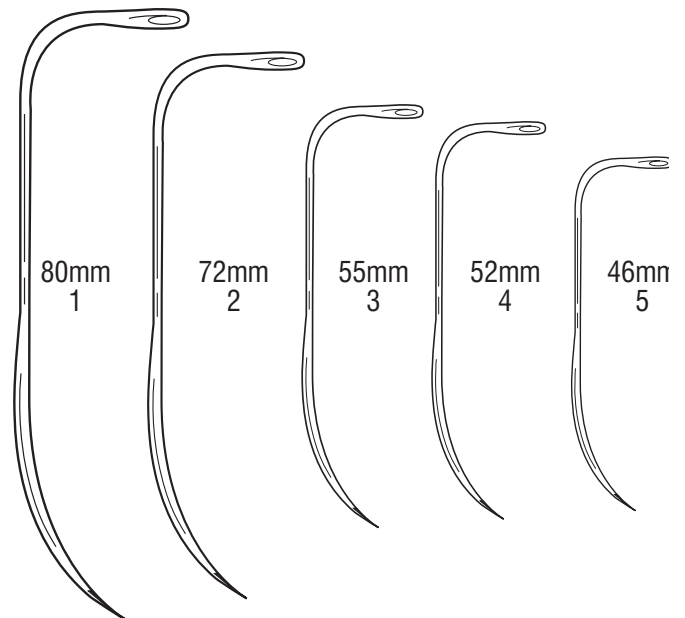
LIVER STRAIGHT
(BLUNT POINT)



LIVER 1/2 CIRCLE
(BLUNT POINT)



LOOPUYTS



MADDOX CATARACT

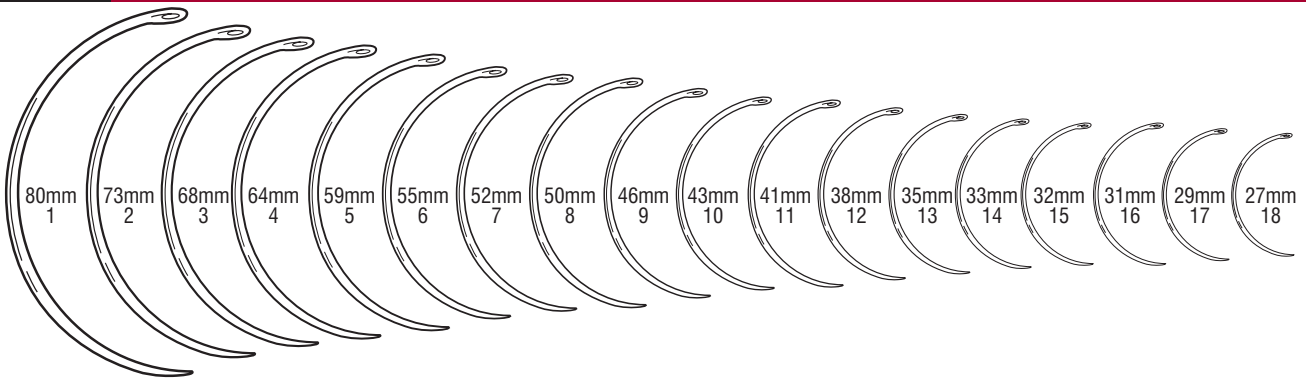


MADDOX CONJUNCTIVAL

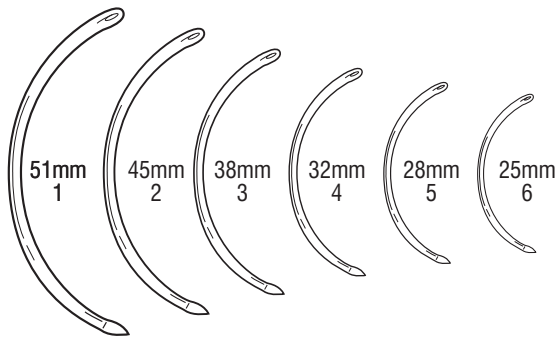




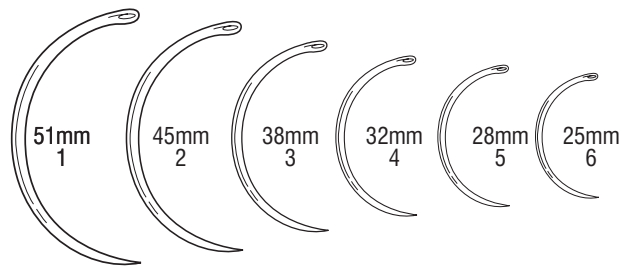
MAYO'S STANDARD



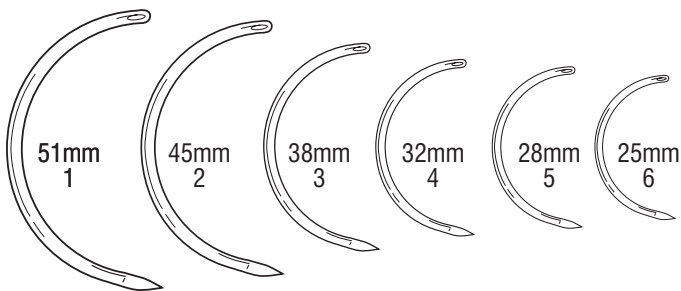
MAYO'S FOR CATGUT
CURVED TROCAR



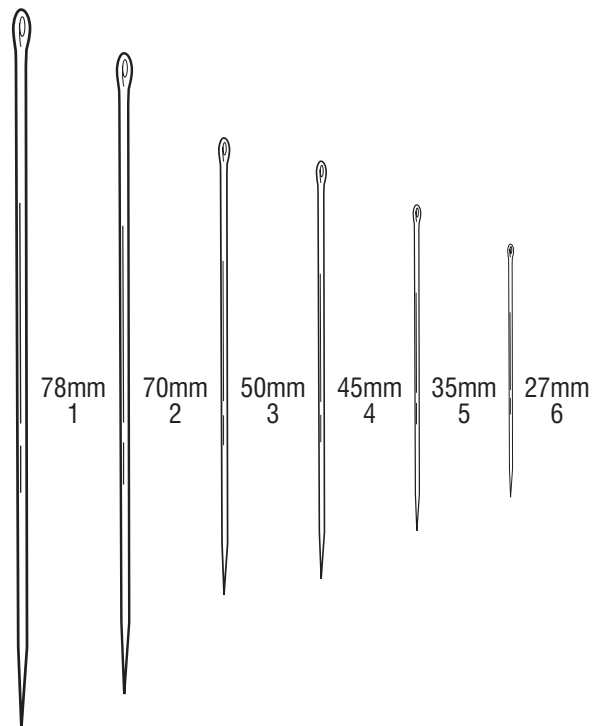
MAYO'S FOR CATGUT
1/2 CIRCLE TAPER



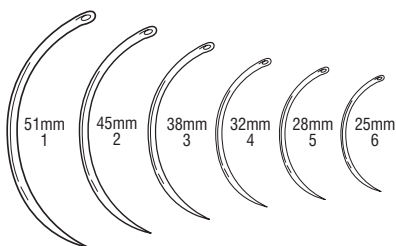
MAYO'S FOR CATGUT
1/2 CIRCLE TROCAR

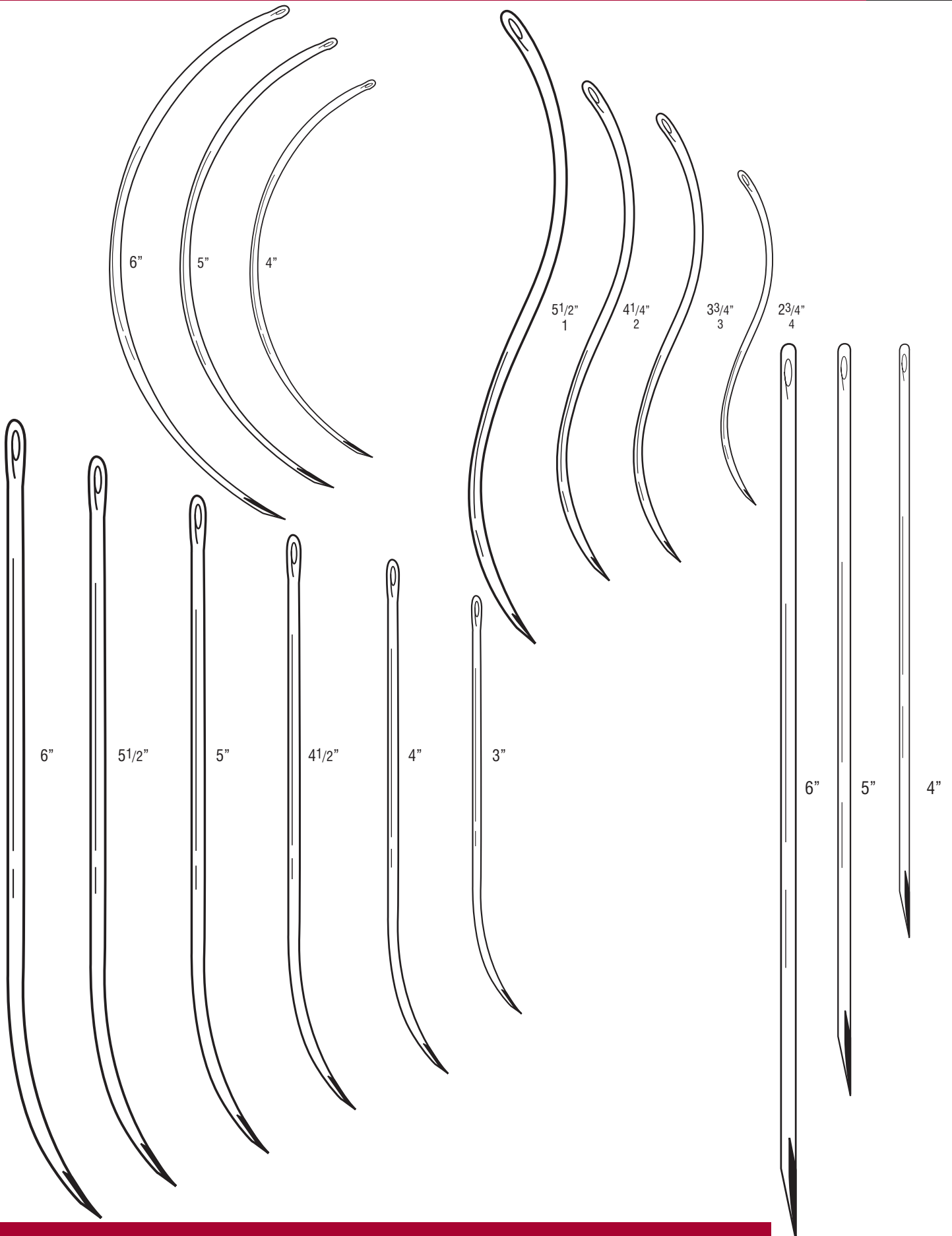


MAYO'S INTESTINAL
STRAIGHT



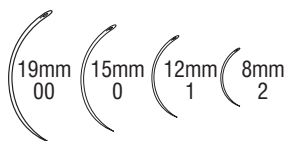
MAYO'S FOR CATGUT
CURVED TAPER



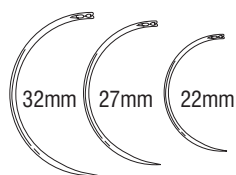




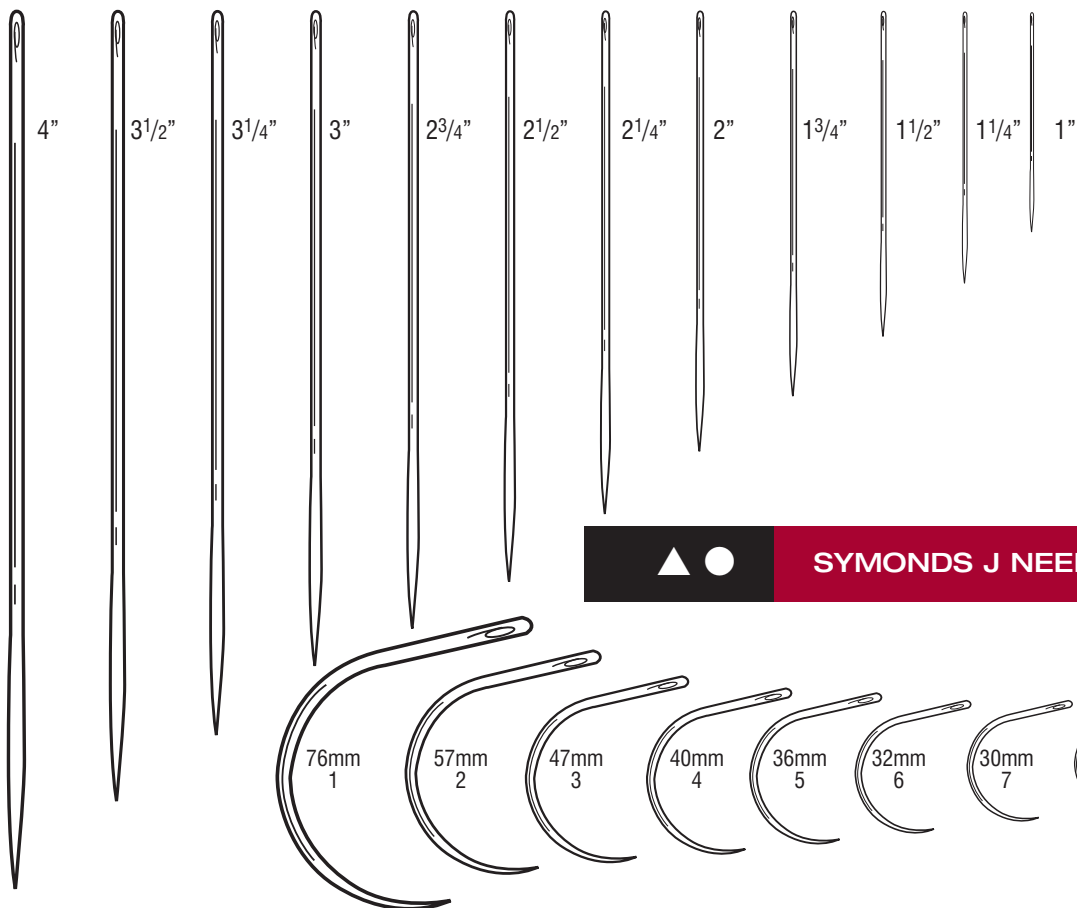
PLASTIC 3/8 CIRCLE



SCALP



SIM'S ABDOMINAL



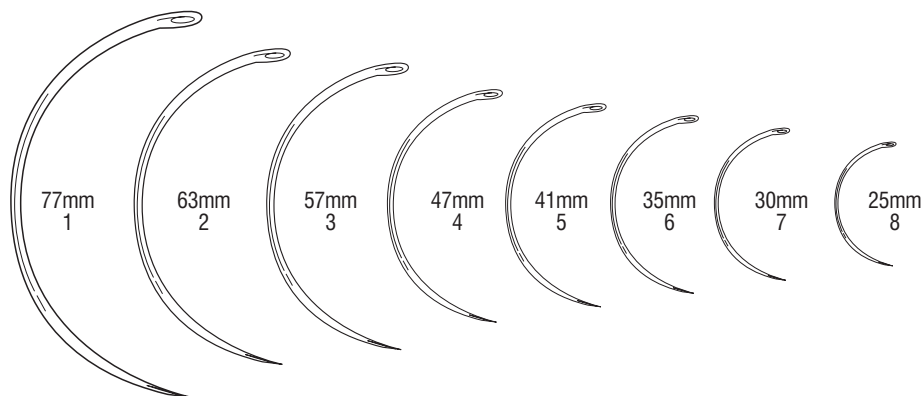
SYMONDS J NEEDLES (FISH HOOK)

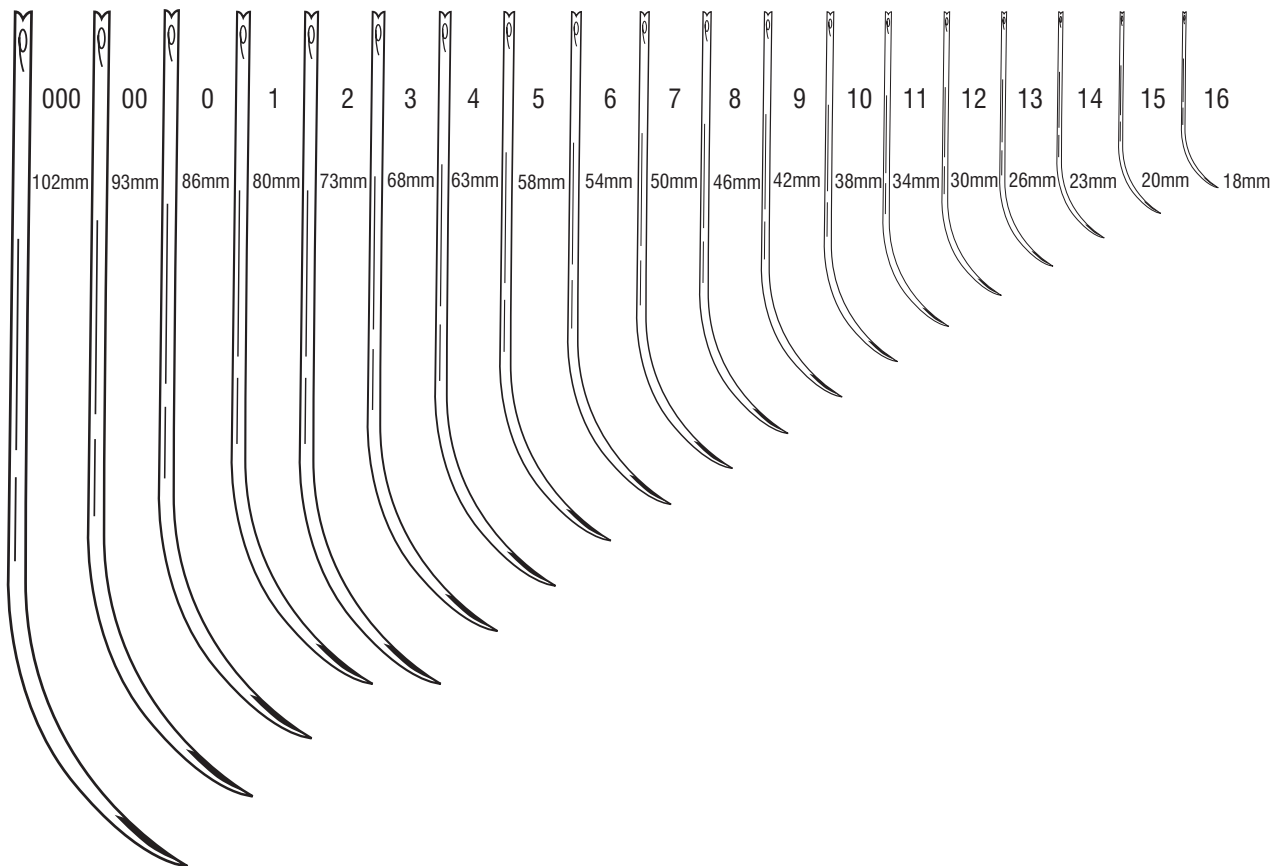
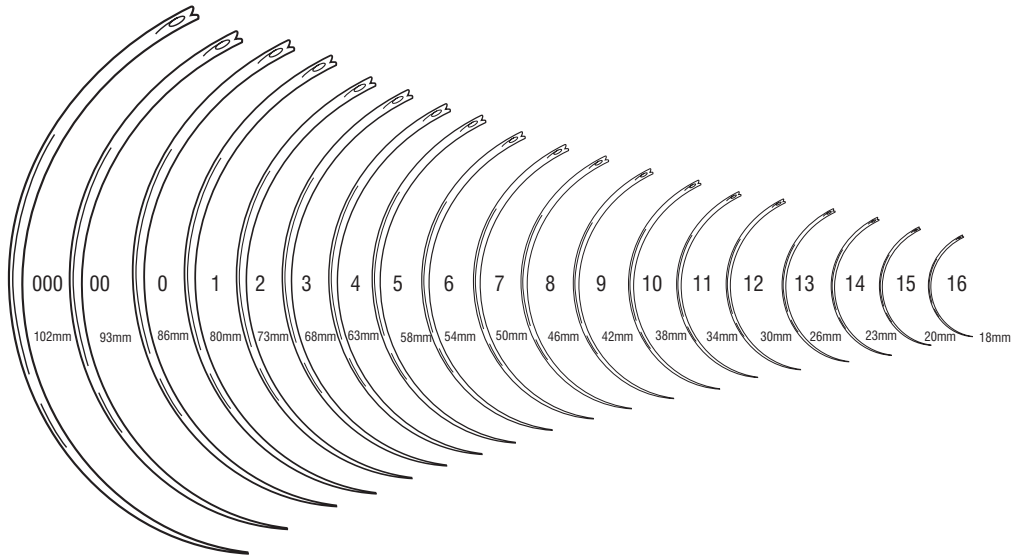


WORTH'S ADVANCEMENT



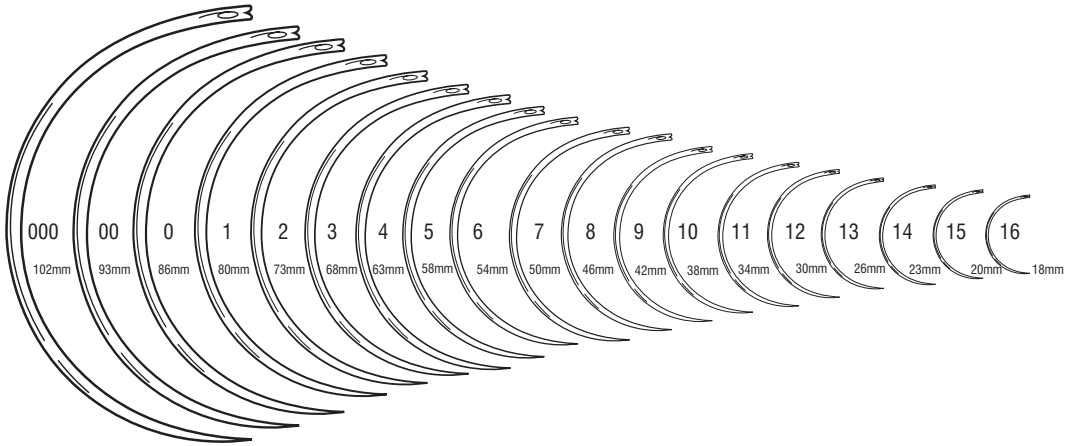
UTERINE (MARTIN'S)



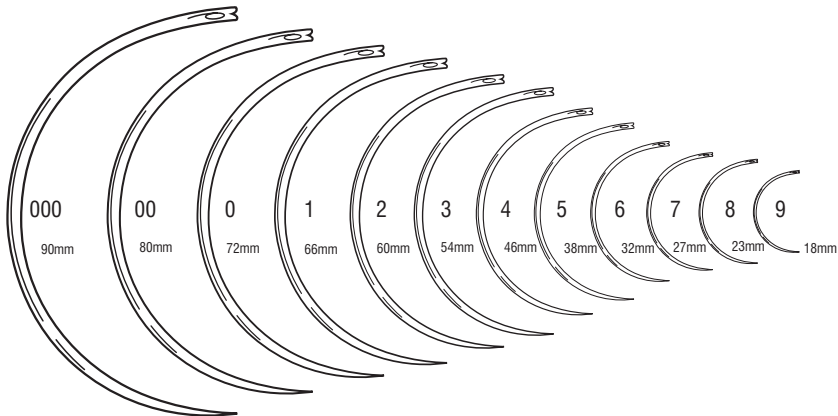




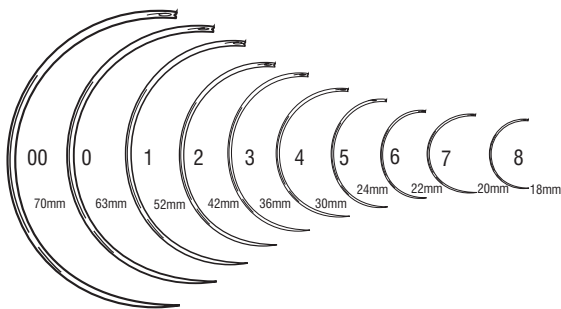
SKIN AND MUSCLE - G



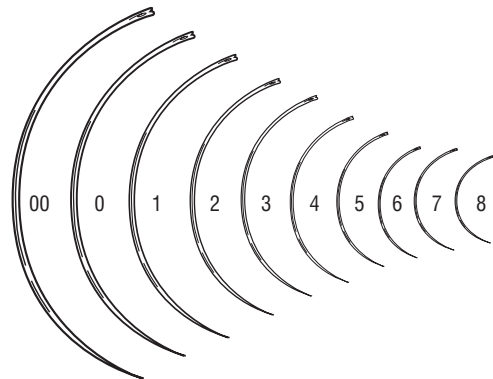
SKIN AND MUSCLE - Ga

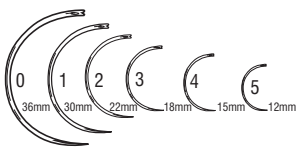
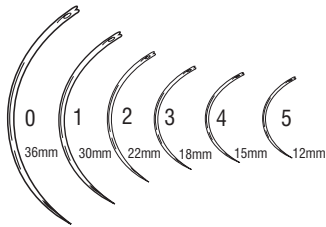
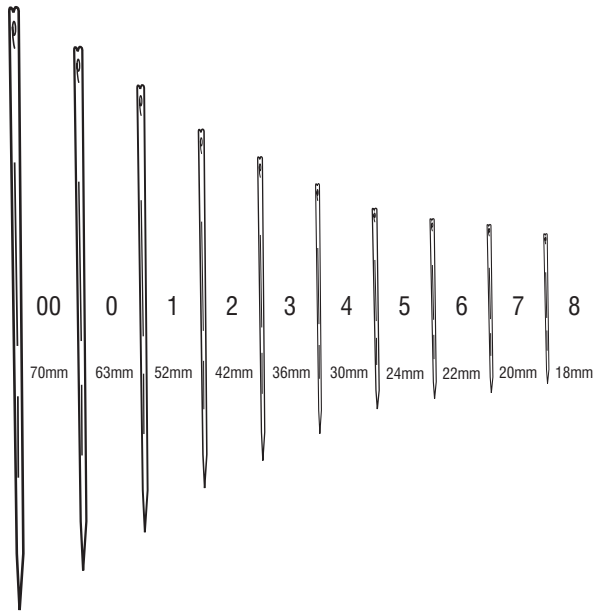


INTESTINAL - Pb



INTESTINAL - Pc





FORCEPS

01 ALLIS TISSUE

3 x 4 Teeth, 4 x 5 Teeth, 6"/15cm



02 ANGIOTRIBE

Straight/Curved 6.5"/15.5cm



03 BENDOVER/
TURNOVER

5"/12.5cm, 6"/15cm



04 BLOCK END
DISSECTING

5"/12.5cm, 6"/15cm



05 BONE CUTTING
FORCEPS

8"/ 20.5cm, 9"/23cm, 10"/25cm



06 CAIRNS ARTERY

Straight 6"/15cm



07 CRILES ARTERY

Straight/Curved 6"/15cm



08 DUNHILL ARTERY

Curved 5"/12.5cm



09 EPILATION

3"/7.5cm



10 HALSTEAD MOSQUITO ARTERY

Straight/Curved 5"/12.5cm. 6"/15cm



11 HARTMANN AURAL CROCODILE

3.5"/9cm, 5"/12.5cm



12 HOOF TEST

12"/30cm



13 HORSLEY COMPOUND ACTION

Straight 10.5"/26.5cm



14 IRIS

1 x 2 Teeth



15 IRIS

Straight/Curved 4.5"/10.5cm



16 LANES

1 x 2 Teeth, 5.5"/14cm, 7"/15.5cm



17 MOSQUITO ARTERY

Straight 4"/10cm



18 RAMSEYS

1 x 2 Teeth 7"/17.7cm



19 RIB SHEARS POLLOCKS

12.25"/31cm



20 ROCHESTER PEAN ARTERY

Straight/Curved 6.5"/16.5cm



21 SPENCER WELLS ARTERY

Straight/Curved
5"/12.5cm, 6"/15cm, 7"/18cm, 9"/23cm



22 SPRAY HOOK/ SPRAY FORCEPS

Hook: 5"/12.5cm
Forceps: 5"/12.5cm, 6"/15cm



23 TILLEY AURAL

2.5"/6.5cm



24 TREVES

1 x 2 Teeth 5"/12.5cm, 6"/15cm
2 x 3 Teeth 7"/18cm



NEEDLE HOLDERS

25 GILLIES

R.H./L.H. 6.25"/16cm



26 MCPHAIL

6"/15cm, 7"/18cm, 8"/20.5cm



27 OLSEN HEGAR

6.5"/15.5cm



SCISSORS

28 CATCLAW SCISSORS



29 COCKADE BARBER SCISSORS

7"/18cm



30 DISSECTING OPEN SHANK

Sharp/Sharp 5"/12.5cm
Sharp /Probe 4"/10cm, 5"/12.5cm



31 DRESSING SCISSORS

Blunt/Blunt(B/B) Straight/Curved
5"/12.5cm, 6"/15cm
7"/18cm, 8"/20.5cm



32 DRESSING SCISSORS

Blunt/Sharp(B/S) Straight/Curved
5"/12.5cm, 6"/15cm
7"/18cm, 8"/20.5cm



33 DRESSING SCISSORS

Sharp/Sharp(S/S) Straight/Curved
5"/12.5cm, 6"/15cm
7"/18cm, 8"/20.5cm



34 HEATH STITCH

6.5"/16.5cm



35 IRIS

Straight/Curved 4.5"/11cm



36 LARGE ORGAN SCISSORS

10"/25.5cm



37 LISTER BANDAGE

5.5"/14cm



38 MAYO

Straight/Curved 5.5"/14cm
6.5"/16cm, 7.5"/19cm, 8.5"/21.5cm



39 METZENBAUM

Straight/Curved 5.5"/14cm, 7"/18cm



40 SPENCER SUTURE

7"/18cm



41 STRABISMUS

Straight/Curved 5.5"/14cm



CHISELS

42 CHISEL STRAIGHT

Blade 3/4"/19mm



43 CHISEL T SHAPE STANDARD



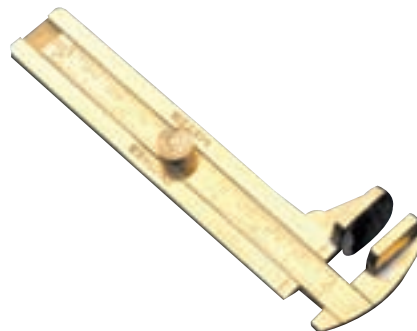
OTHER INSTRUMENTS

44 BACKHAUS TOWEL

3.5"/9cm



45 BOLEY BRASS GAUGE



46 BULL RING - COPPER

2.25", 2.5", 2.75", 3", 4"



47 CROSS ACTION TOWEL JONES

3.5"/9cm



48 DENTAL SCALERS

SE 16, DE16



49 EYELID RETRACTOR



50 NAIL CUTTERS

51 NAIL CUTTERS

Compound Action



52 SCAPEL HANDLES

3, 4, Fine Handle



53 SCHAEDEL TOWEL CLAMP

3.5"/9cm



54 VULVA NEEDLE



Barber of Sheffield supply a full range of infusion products including giving sets, extension sets, scalp vein sets, intravenous cannulae and transfusion sets.

Staff at Barber have been working with veterinarians and nursing staff over the last few years to develop a range of infusion products that meet the requirements of today's busy practice.

Some of the problems encountered by practices are:

- Some giving sets are **too short** in length and tubing can **kink easily** thus affecting the flow rate.
- The rubber cuff injection sites **can leak** thus soaking an animal. **Y-port** injection sites were preferred.

- **Injection sites** were often in the **wrong place**, sometimes too near to the luer lock end thus being covered up when fixing the giving sets.
- Fixed luer locks were **difficult** to attach, particularly with one hand.
- Many giving sets are sold with **human** not animal patients in mind.
- Cost effective small animal sets were not available with a drip rate of 60 drops per ml.

To resolve all these problems we offer some alternative giving sets:

01

PAEDIATRIC INFUSION SET (60 DROPS/ML)



- This high quality set was the first veterinary set combining a paediatric chamber in a normal infusion line.

KEY FEATURES

- 1.9 metres long, this is a typical infusion set length suitable for smaller pets in normal kennelling environments.
- 2 Y ports, one near the controller and one ideally placed near the end luer, a luer connector and moveable luer lock/push fit end connection
- Distal tubing is virtually kink-proof and allows easy looping of line even in the smallest of pets.
- Drip chamber is filtered and supplies 60 drops/ml.

APPLICATIONS

- This set is the ideal set for maintenance fluid therapy in small and medium sized animals.
- Flow rates are not significantly altered even when end tubing is twisted by patient movement - ideal for fidgety patients!
- Use it when accurate or low flow rates are required or in larger animals where kink-resistance is preferable.
- The set can be extended to virtually any length via extension lines.
- Ideal for longer-term maintenance when aseptic cannulation is observed and the line is not contaminated with blood.
- Maintenance fluid therapy in animals up to 20kg body weight. Flow rate is easy to maintain and control.
- Short-term IV drug administration in all small animals patients (e.g. chemotherapy infusion).
- Slow-rate constant infusions in all patients in combination with other compatible Barber sets.
- Used in place of burette-type paediatric set, it allows a greater height of fluid reservoir, thus better flow.
- Connections to accessories are simple.

02

ECONOMY PAEDIATRIC INFUSION SET (60 DROPS/ML)



- This value set combines the features of the premium giving set with those of the paediatric set to provide a cost effective set with 60 drops/ml.

KEY FEATURES

- 60 drops/ml
- 2.4 metres length
- 2 injection sites
- Kink resistant material
- Male/female luer break connector

03 STANDARD INFUSION SET (20 DROPS/ML)

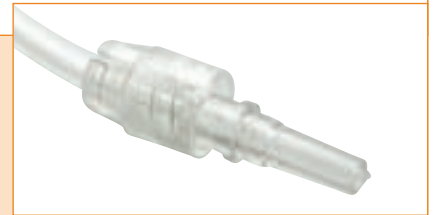
- A low-cost infusion set for general use that retains quality features normally found in more expensive lines.

KEY FEATURES

- 1.9 metres long, this is a typical infusion set length suitable for general use.
- The single Y-port is distal for immediate effect of IV injections.
- Tubing is kink resistant with a choice of luer lock or push fit end connection.
- Drip chamber is filtered and supplies 20 drops/ml.

APPLICATION

- High flow-rate infusions of IV fluids and plasma expanders.
- Maintenance fluid therapy. Recommended for animals over 10kg body weight.
- General wound lavage.
- As a closed system for sterile lavage and collection when combined with a 3-way tap and extension line.



Swivel Luer

04 PREMIUM INFUSION SET (20 DROPS/ML)

- This quality infusion set is the most versatile in the new Barber range of infusion lines.

KEY FEATURES

- 2.4 metres long, this is longer than the normal infusion line allowing greater versatility and freedom for your patient.
- 2 Y-ports for IV drug administration. The distal one allows injection of drugs that need immediate effect whilst the proximal port allows injections without disturbing the patient and without the need to access to a cage.
- Tubing is kink-resistant and includes a proximally positioned luer connector for inclusion of extension lines and other accessories. Use of a 3-way tap here makes flushing the line and injection additives in volume simple.
- Luer connector near the drip chamber makes this set fully compatible for 'mix and match' components of the Barber infusion range.
- Movable luer lock/push-fit end connection that gives you the choice of how you connect to a cannula.
- Drip chamber is filtered and supplies 20 drops/ml.

APPLICATION

- High flow-rate infusions of IV fluids.
- Maintenance fluid therapy.
- Recommended for animals over 10kg body weight. For animals up to 10kg we would advise using the Barber Paediatric set.
- (60 drops/ml) for accuracy.
- Short-term IV drug administration (e.g. chemotherapy infusion).
- General wound lavage (either trickle or pressure lavage).
- As a closed system for sterile lavage and collection.

Connection to:

- Infusion pump
- Central venous line for Total Parenteral Nutrition
- Extension lines and other Barber accessories.



Y Port



Luer Connector

COILED SET 20 DROPS/ML

05



- This set has the same features as our paediatric set but operates at 20drops/ml and has an in line coil.

KEY FEATURES

- Total workable length nearly 5 metres and 2 injection sites.
- Push fit and taper fit swivel luer.
- Excellent V track controller.
- In line connector to enable other accessories to be added.
- Kink resistant tubing.

COILED SET 60 DROPS/ML

06



- This is the same as our popular 20 drops set but with 60 drops per ml.

BURETTE

07



- Barber offers a cost effective burette set which allows for measured volumes. The burette can be used in line with any infusion set.

KEY FEATURES

- Measured volume to 150ml.
- Injection site on top.
- Spike with vent.
- Floating auto shut off valve which shuts off the drain path when the chamber gets empty to prevent air traps.

EXTENSION LINES

08



- Barber has developed 3 extension lines, two coiled and one straight, which can be added into the paediatric or premium giving sets via the in line connector or at the luer end of other sets.

KEY FEATURES

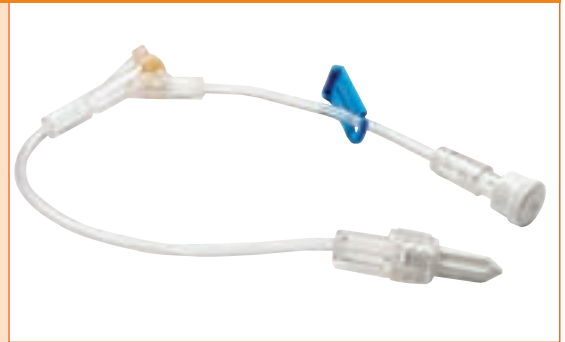
- The large coiled set extends to 2.6 metres from a closed length of 30cm and is made from tough material which eliminates kinking and is resistant to chewing clients.
- The coil reverts back unlike other coiled sets which can get tangled.
- The straight line set is 1.3 metres long.
- The small coil has max length of 1.8 metres. OD of 2mm.

09 END EXTENSION

- Standard bore tubing.

Key features

- With Y port and kink proof tubing.
- Total length 25cm.
- Priming volume 1.1ml.
- Move away luer lock adaptor.
- Sterile.



10 Y TYPE EXTENSION TUBE

- Mini bore extension with low priming volumes.

Key features

- Clamp and Y port.
- Tube diameter 2.65x0.90mm.
- Total length 18cm.
- Priming volume 0.6ml.
- Sterile.



11 T TYPE EXTENSION TUBE

- Injection site.
- Clamp.
- Total length 15cm.
- Very low priming volume.
- Sterile.
- Priming volume 0.08ml.



12 NEEDLE FREE EXTENSION LINE

- A simple extension line with narrow bore kink resistant tubing with needle free port.

Key features

- priming volume 0.08ml.



NARROW BORE HIGH PRESSURE EXTENSION



- Made with narrow bore tubing.
- Length 100cm or 200cm.
- Tube diameter 2.65x0.90mm.
- Priming volume 1.8ml.
- Suitable for high pressure monitoring and for connection between syringe infusion pump and patient.
- Sterile.

GIVING SET RATE CALCULATOR

60 DRIP SETS					20 DRIP SETS					
SECONDS BETWEEN DRIPS			DRIPS PER MIN		SECONDS BETWEEN DRIPS			DRIPS PER MINUTE		
Secs per drip	mls/hr	mls/24hr	Drips/min =ml/hr	ml/24hr	Secs per drip	mls/hr	mls/24hr	Drips per min	mls per hr	mls per 24 hr
60	1.0	24	1	24	60	3.0	72	1	3	72
55	1.1	26	2	48	55	3.3	79	2	6	144
50	1.2	29	3	72	50	3.6	86	3	9	216
45	1.3	32	4	96	45	4.0	96	4	12	288
40	1.5	36	5	120	40	4.5	108	5	15	360
35	1.7	41	6	144	35	5.1	123	6	18	432
30	2.0	48	7	168	30	6.0	144	7	21	504
28	2.1	51	8	192	28	6.4	154	8	24	576
26	2.3	55	9	216	26	6.9	166	9	27	648
24	2.5	60	10	240	24	7.5	180	10	30	720
22	2.7	65	11	264	22	8.2	196	11	33	792
20	3.0	72	12	288	20	9.0	216	12	36	864
19	3.2	76	13	312	19	9.5	227	13	39	936
18	3.3	80	14	336	18	10.0	240	14	42	1008
17	3.5	85	15	360	17	10.6	254	15	45	1080
16	3.8	90	16	384	16	11.3	270	16	48	1152
15	4.0	96	17	408	15	12.0	288	17	51	1224
14	4.3	103	18	432	14	12.9	309	18	54	1296
13	4.6	111	19	456	13	13.8	332	19	57	1368
12	5.0	120	20	480	12	15.0	360	20	60	1440
11	5.5	131	22	528	11	16.4	393	22	66	1584
10	6.0	144	24	576	10	18.0	432	24	72	1728
9	6.7	160	26	624	9	20.0	480	26	78	1872
8	7.5	180	28	672	8	22.5	540	28	84	2016
7	8.6	206	30	720	7	25.7	617	30	90	2160
6	10	240	35	840	6	30.0	720	35	105	2520
5	12	288	40	960	5	36.0	864	40	120	2880
4	15	360	45	1080	4	45.0	1080	45	135	3240
3	20	480	50	1200	3	60.0	1440	50	150	3600
2	30	720	55	1320	2	90.0	2460	55	165	3960
1	60	1440	60	1440	1	180.0	4320	60	180	4320

Please note this is for guidance only and variances may occur due to fluid types and other factors. IV fluid manufacturer's recommendations should be followed.

14

TRANSFUSION SET

- A blood administration set conforming to ISO1135-4 with a moulded drip chamber and built in spike.

Key features

- 200 micron blood filter.
- C clamp.
- Spike for blood bags and containers.
- Kink resistant tubing from Y port to luer lock.
- Total length 1.5m to Y port.
- 300mm from Y port to luer lock.
- Tubing diameter 4.1x3mm.
- Priming volume 10ml.
- Sterile.



URINE COLLECTION BAGS 2 LITRE

15



- With non return valve and bottom outlet.
- Reinforced outlets allow easy hanging and provide max protection against tearing.
- Push/pull bottom outlet for easy emptying.
- Kink resistant tubing.
- Printed easy to read scale.
- Sterile.

CENTRAL VENOUS CATHETER

16



- Either single lumen, double lumen or triple lumen catheter available.
- Kits based on the preferred Seldinger technique.
- Soft tip polyurethane catheter specifically designed to make insertion easy and non traumatic.
- J tip wire guide with dispenser specifically to prevent perforation and to ensure good torque for firm insertion.
- Introducer needle.
- Tissue dilator.
- Suture wing and clamp fastener.
- Scalpel.
- Extension line clamp.
- Syringe 5ml.
- Injection site.
- Hypodermic needle.
- Needle sponge.

APPLICATION

- Administration of parenteral nutrition.
- Continuous and intermittent monitoring of central venous pressure.
- When peripheral venous puncture is not possible.

SIZES

- Single Fr5 x 20cm. Double Fr 5 x 8cm, Fr7 x 16cm, Fr7 x 20cm
Triple Fr7 x 16cm, Fr7 x 20cm.

17 LEVINS GASTRO INTESTINAL FEEDING TUBE

- Distal end is coned with 4 lateral eyes.
- Low friction medical grade pvc reduces the incidence of discharge.
- Radio opaque line.
- Proximal end is provided with universal funnel shape connector.
- Marked at 45,55,65 and 75cm from the tip for accurate placement.
- Sterile.

Size FG	OD	ID	Colour
8	2.70mm	1.70mm	Blue
10	3.30mm	2.15mm	Black
12	4.00 mm	2.65mm	White
14	4.70mm	3.15mm	Green
16	5.30mm	3.70mm	Orange

- Effective length 119cm.
- Total length 122cm.



18 FEEDING TUBE 17FG

- With 2 eyelets.
- Length 40mm.
- OD 5.7mm.
- ID 4.1mm.



19 CLAMPS

- Cath Clamp is suitable for clamping any catheter or tube made from polymer between 2mm and 8mm diameter.

KEY FEATURES

- Provided with a lock click which is easy to open when needed.
- Finger grip ensures safe and convenient handling particularly when gloves are wet.
- Non sterile box of 100.



Barber have IV CANNULAE to suit every application

The stainless steel needles are bevelled and siliconised for smooth and painless venipuncture. The cannula tubing is made with PTFE, which has a low co-efficient of friction, making it easier to insert and hence reducing trauma. They also have a high flow rate due to the thin walled catheter, crucial when a patient's life is at stake.

The foldable groove wings on the Medican with an angular inclining supporting surface results in easy insertion and firm fixation. Kinking is avoided by the inclination and the wings reduce the pressure of the hub on the vein, permitting maximum blood flow.

The extra thin walled needle has a hub with a large flashback chamber and a hydrophobic luer lock plug. This results in a higher flow rate and quick, easy confirmation of correct vascular access. The plug also helps avoid blood spillage and prevents formation of bubbles.

Gauge	Dia mm	Length mm	Water Flow	Colour Code
14G	2.0	45	240	Orange
16G	1.7	45	176	Grey
18G	1.3	45	76	Green
20G	1.0	32	54	Pink
22G	0.85	25	25	Blue
24G	0.60	19	14	Yellow

MEDICAN

20



- This cannula has wings

KEY FEATURES

- Angled and grooved wings offer easy fixation and prevents rolling.
- A transparent catheter which facilitates observation of blood.
- Available in sizes 16g, 18g, 20g, 22g and 24g.
- The 24g is a special miniature design to deal with the specific problems of small animal cannulation.

MEDICAN ALPHA

21



- A plain IV cannula without injection valve and without wings.

KEY FEATURES

- It has a symmetrical design to facilitate cannulation on contour surfaces offering minimum contact with the patient.
- Specially designed long needle cover which can be used to return the needle in to avoid stick injury.
- Long and broad needle hub for better grip and control.
- Available in sizes 14g, 16g, 18g, 20g and 22g.

KETHIN

22



- This is a cannula provided with an injection site.

KEY FEATURES

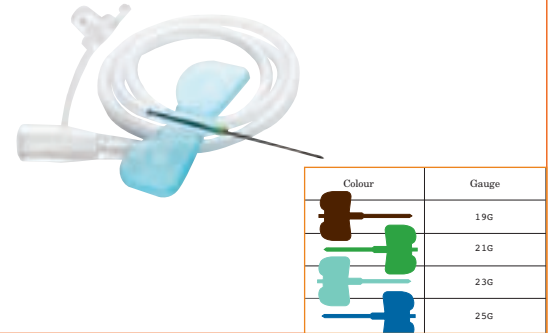
- Angled and grooved wings offer easy fixation and prevents movement.
- It has a one way retreating valve to facilitate extra medication and to prevent back flow.
- It is non-pyrogenic.
- A transparent catheter which facilitates observation of blood.
- Available in sizes 16g, 18g, 20g, 22g and 24g.

23 WINGED IV'S

- The winged IV (or scalp vein set) has a short bevelled, siliconised needle which facilitates atraumatic cannulation.

KEY FEATURE

- A thin walled needle wall provides better flow rate per gauge. Butterfly shaped wings enable easy handling and attachment.
- Non toxic, non irritant, kink resistant tubing.
- The end of the set is provided with a female luer fitting.
- 30cm connecting tube.



24 CLOSURE STOPPERS WITH INJECTION SITE

- A male luer lock cap with injection site.

KEY FEATURES

- Can be used in conjunction with the Mediflex 3 way tap or with IV cannulae or with winged IV's.
- Latex free injection site.



25 CLOSURE STOPPERS

- End caps with male and female fittings.

KEY FEATURES

- Helps maintain sterility when closing off an infusion device – i.e. giving set, IV cannula, Winged IV or syringe.



26 SWIVEL CONNECTOR

- This component allows full rotation of the giving set line to avoid twisting.

KEY FEATURES

- Male/female connector.
- It can be used in line with the paediatric or premium sets



CHECK VALVE

27



- This valve allows a uni-directional flow of air or liquid.

KEY FEATURES

- Male and female fitting to allow it to be added in line into the paediatric and premium set or at the end luer.
- Allows injecting without the need to shut off the controller.

NEEDLE FREE VALVE

28



- Can be used for capping or as an in line valve.

KEY FEATURES

- If put within the line of a paediatric or premium set it allows free flow of air or liquid. When disconnected from the line it acts as an end cap.
- Allows needleless injection or aspiration.
- Easy to flush.
- Latex free.
- Valve accepts up to 140 activations over a 7 day period.

MEDIFLEX

29



- These are to incorporate between an infusion line and an indwelling venipuncture device to allow for additional infusion.

KEY FEATURES

- Arrow indication marks on the tap to show direction of flow.
- Transparent base facilitates observation of flow.
- Luer taper for compatibility with any standard product.
- Rotating luer and threaded female ports.
- Facilitate safe and secure connection to luers of other systems.

VACUUM BLOOD COLLECTION TUBES AND NEEDLES

30



- Blood collection tubes with clot activator.

KEY FEATURES

- Tube vol 4.5ml 13 x 75mm. Sold in boxes of 5 racks of 10 pieces (total 50). Shelf life 24 months.
- Tube vol 9ml, 16 x 100mm. Sold in boxes of 2 racks each with 5 x 10 pieces (100 pieces). Shelf life 18months.
- Blood collecting needle 18g x 1.5" pink, sterile boxes of 100.
- Blood collecting needle 18g x 1" pink, sterile boxes of 100.

Barber of Sheffield offer a range of re-usable and single use stainless steel hypodermic needles available with a luer or record hub.

- All the needles are manufactured using high quality stainless.
- They are ground on high precision computer controlled machines for super sharpness.
- Needles of special lengths and specifications can also be made.



Luer Needles		Record Lock Needles	
Gauge x Length	Gauge x Length	Gauge x Length	Gauge x Length
Luer 13g x 1.75"	13g x 45mm	Record 13g x 13/4"	13g x 45mm
Luer 13g x 21/2"	13g x 51mm	Record 13g x 2"	13g x 51mm
Luer 13g x 75mm	13g x 75mm	Record 14g x 1.5"	14g x 38mm
Luer 14g x 5/8"	14g x 16mm	Record 14g x 1.75"	14g x 45mm
Luer 14g x 3/4"	14g x 19mm	Record 14g x 2"	14g x 51mm
Luer 14g x 1.25"	14g x 32mm	Record 15g x 1"	15g x 25mm
Luer 14g x 1.5"	14g x 38mm	Record 16g x 0.75"	16g x 19mm
Luer 14g x 75mm	14g x 75mm	Record 16g x 1"	16 x 25mm
Luer 15g x 110mm	15g x 110mm	Record 16g x 1.5"	16g x 38mm
Luer 15g x 113mm	15g x 113mm	Record 16g x 1/2"	16g x 13mm
Luer 16g x 3/8"	16g x 10mm	Record 17g x 0.5"	17g x 13mm
Luer 16g x 1/2"	16g x 13mm	Record 17g x 1"	17g x 25mm
Luer 16g x 3/4"	16g x 19mm	Record 17g x 3/4"	17g x 19mm
Luer 16g x 1.25"	16g x 32mm	Record 18g x 1"	18g x 25mm
Luer 16g x 1.5"	16g x 38mm	Record 18g x 1/2"	18g x 13mm
Luer 17g x 1/2"	17g x 13mm	Record 18g x 3/4"	18g x 19mm
Luer 17g x 3/4"	17g x 19mm	Record 19g x 1/2"	19g x 13mm
Luer 17g x 1.5"	17g x 38mm	Record 20g x 1/2"	20g x 13mm
Luer 17g x 3"	17g x 76mm	Record 20g x 3/8"	20g x 10mm
Luer 18g x 1/2"	18g x 13mm		
Luer 18g x 3/4"	18g x 19mm		
Luer 18g x 1"	18g x 25mm		
Luer 18g x 1.25"	18g x 32mm		
Luer 19g x 3/8"	19g x 10mm		
Luer 19g x 1/2"	19g x 13mm		
Luer 19g x 3/4"	19g x 19mm		
Luer 19g x 1.5"	19g x 38mm		
Luer 19g x 3"	19g x 76mm		
Luer 20g x 1/2"	20g x 13mm		
Luer 20g x 5/8"	20g x 16mm		
Luer 20g x 3/4"	20g x 19mm		
Luer 20g x 2"	20g x 51mm		
Luer 21g x 3/8"	21g x 10mm		
Luer 21g x 1/2"	21g x 13mm		
Luer 22g x 1/4"	22g x 6mm		
Luer 22g x 3/8"	22g x 10mm		
Luer 22g x 1/2"	22g x 13mm		
Luer 23g x 2"	23g x 51mm		
Luer 25g x 2"	25g x 51mm		
Luer 27g x 2"	27g x 51mm		

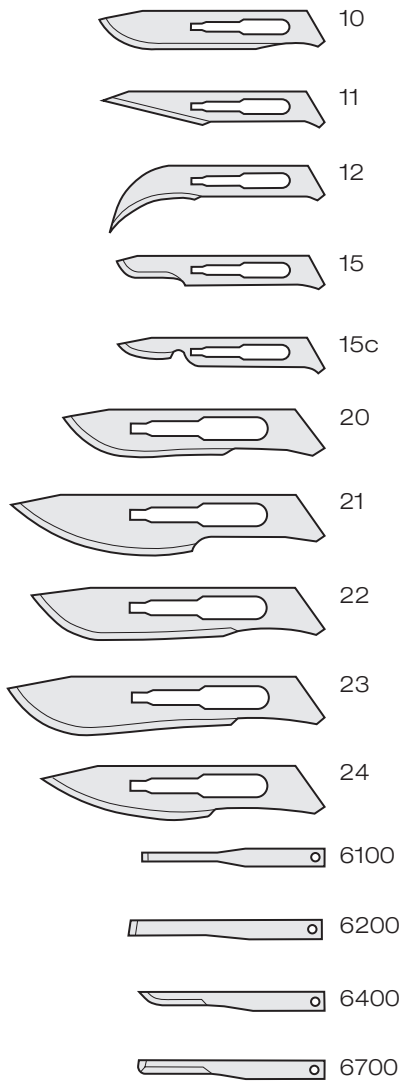
Gauge	OD mm Min	ID mm Max	Nominal Thickness
13	2.387	1.752	0.305
14	2.082	1.549	0.254
15	1.816	1.333	0.230
16	1.638	1.155	0.228
17	1.460	1.028	0.203
18	1.257	0.800	0.215
19	1.054	0.647	0.290
20	0.901	0.584	0.152
21	0.820	0.510	0.152
22	0.720	0.410	0.152
23	0.640	0.340	0.152
25	0.510	0.260	0.127
27	0.410	0.10	0.101

Barber scalpel blades are made from the finest quality steel and are produced to stringent international quality control standards.

The engineers at Barber have placed special emphasis on perfecting the grinding and honing process with the result that we believe the cutting edge is of the highest standard.

The manufacturing process employs the latest state of the art electronics technology.

Blades supplied sterile in boxes of 100 (except for disposable/blade handle PM blade).



SCALPEL BLADES

01



DISPOSABLE PM 40 BLADE/HANDLE

02

- A large disposable blade/handle combination utilising a large PM40 blade.



01 BIOCLENSE SPRAY AND WIPES

A wide spectrum biocidal cleaner, widely used as a replacement for phenolic biocides in the healthcare and laboratory industries. A ready to use deodorising cleaner, degreaser, disinfectant and fungicide for use in scientific, medical and biotechnology environments to combat biological hazards. Biocleanse meets the requirements of BS EN 1276 and is effective against MRSA, HIV, HBV, Avian Flu, E coli, Salmonella, Listeria, Candida, Penicillium, TB and C Difficile. 500ml trigger.

Ready to use wipe impregnated with a powerful bactericidal and virucidal disinfectant. Ideal for cleaning and disinfection in scientific, medical and biotechnology environments. Effective against pseudomonas aeruginosa, Staphylococcus aureas, Enterococcus hirae, E coli 0157, MRSA, Salmonella, Lysteria, Candida, Penicillium, HIV, HBV, Avian Flu, Clostridium Difficile, Mycobacterium tuberculosis, Mycobacterium terrae and Mycobacterium avium.



02 STAINLESS STEEL CLEANER

For cleaning of stainless steel surfaces.



03 UNIK DIFFUSER

The UNIK diffuser emits tiny particles of disinfecting solution into the air, known as dry misting. This product is ideal for disinfecting kennels, waiting rooms surgeries and operating rooms. It can access areas traditional disinfecting routines cannot access i.e air ducts, curtains, blinds, extraction systems, sinks, vehicles etc. They are simple machines with low maintenance. They can be used via a 240v connection or there is a 12v version that can also be used with 240v via a transformer. Dimensions L28cmxW 25cmx40cmH An SD card records the cleaning operations. Areas up to 250cubic metres. For a room at 75 cubic metres this would take around 20 minutes for diffusion. This can be timed to allow for night-time disinfection. Weight 6.5kg. Please call for more details.



04 SPRAYBIO – BACTERIAL, VIRUSCIDE, FUNGICIDE, SPROCIDE

Spraybio is a disinfectant for use in the UNIK. It is hydrogen preoxide based which is well known for its oxidising properties. It is stabilised with quaternary ammonium. It is effective against listeria monocytogenes, salmonella tyhimurium, legionella pneumophilla, pseudomonas aeruginosa, Escherichia coli, Staphylococcus aureus, Enterococcus hirae, candida albicans, aspergillus niger, bacillus cereus, bacillus subtilis, clostridium sporogenes, polio. It is colourless, odourless and flavourless. It is safe to use, has long lasting effect and can be used directly onto surfaces without the UNIK. Available in 10 litres containers.



05 ARDOL

Highly absorbent compound with disinfecting, antiseptic and deodorising properties. Absorbs over 10 times the initial volume. Available in 0.6kg.



07 HYGERCIDE

Single usage disinfecting and deodorising aerosol. Recommended for disinfecting rooms quickly.



08 DESOLVE

Drain maintainer and opener-destroys hair, soap, scum etc. Does not harm pipes.



BOWLS/CONTAINERS



01 LOTION BOWLS

Stainless Steel lotion bowls 15cm, 20cm and 25cm.

02 KIDNEY DISHES

Stainless steel 15cm, 20cm and 25cm.



03 KIDNEY DISH

Polypropylene 20cm.



04 STAINLESS STEEL BUCKET

12litre.



05 POLYPROPYLENE WASH BOWL



06 INSTRUMENT TRAY



07 GALLIPOT

Stainless steel 8.5cm.



BODY BAGS

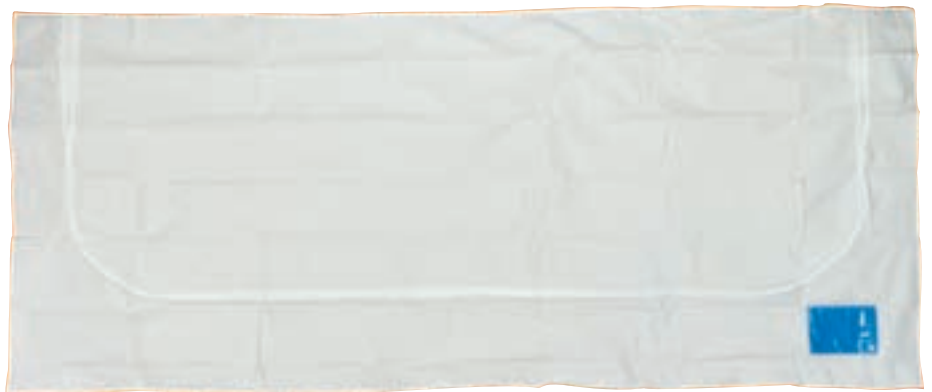
Heavy duty 3 sided metal zip with 6 handles 400 microns length 216cm width 90cm.

08 HEAVY DUTY BODY BAG



09 STANDARD BODY BAG

Standard body bag 3 sided 200 microns length 220cm, width 105cm .



10 SMALL BODY BAG

Length 122cm, width 71cm.



APRONS/COVERALLS AND GLOVES

11 CHAIN APRON



12 DISASTER SUIT

One size.



13 PRACTITIONER KIT

Assures hygiene and total protection. Contents: 1 single use standard coverall, 1 mask, 1 pair of overshoes, 1 pair of latex gloves and 1 pair of protective glasses.



14 ARMLENGTH GLOVES

Sensitive blue vet examination gloves. Strong and supple. Provides maximum protection. Shoulder length 92cm. Box of 100 per pieces.



15 DIGITAL THERMOMETERS

MT-B162 (rigid tip) A thermometer with accuracy of +/- 0.1deg C. Automatic switch off. Beeper, memory and fever alarm.



16 DIGITAL THERMOMETERS

MT-B132 (rigid tip). A thermometer with accuracy of +/- 0.1deg C. Automatic switch off, beeper, memory and low battery indicator.



17 DIGITAL THERMOMETERS

MT-B132F (flexible tip) Flexible tip for more comfort.



TABLES

Simple sized table for easy use. Curved stainless steel plate with 10/10 thickness on stainless steel tubular structure (30/30) with rubber feet. And end drain.
 Dimensions: L - 1900mm, H - 855mm, W - 740mm, Wt - 30kg.

18 BASIC TABLE



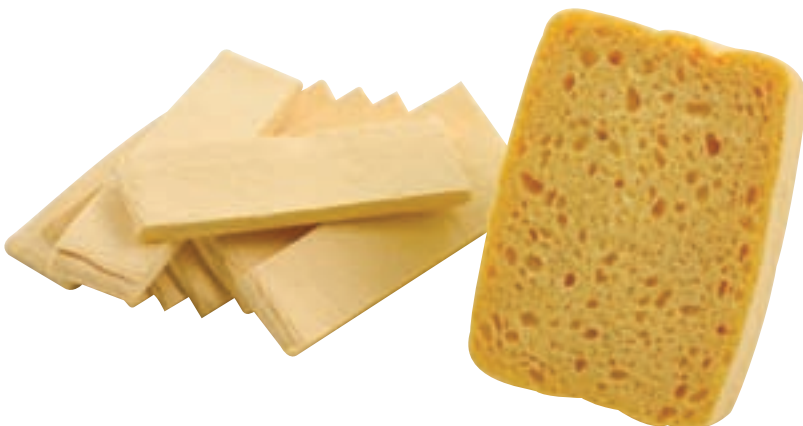
19 DELTA TABLE

The Delta table has six legs, four of which can be fixed to the floor, a sink at top of the workspace equipped with plughole, taps with elbow command and a spray with a 3m flexible length.
 Dimensions: L - 2560mm, H - 855mm, W - 760 mm, W t - 49 kg.



OTHER PRODUCTS

20 COMPRESSED SPONGE



21 EAR TAGS

Metal easy fix tags. Easy application by hand – no applicator needed. Can be numbered both sides by ink jet or permanent laser mark. 8 characters per side, 5 colours of tag available.



22 NEEDLE RACK

Comes with 2 suction rings - needles are held in place with a spring.



23 CUTTING BOARDS

Barber offer a range of cutting boards in PE 500 Grade or Apex which is a self sealing cutting surface, made from high density, non cellular Rubber Compound. Available in many colours and sizes. Call the office for details.



25 NEEDLYSER

Oxidise needles to prevent needle stick injury and to reduce needle hazardous waste. Simply insert needle (16g to 30g) push and twist and the needle is oxidised. The machine operates at 1500deg C leaving a sterile dust within 3 seconds. The remaining stub will no longer require special containers reducing costs. The cartridge will only need emptying after 1000 needles and this dust is safe to dispose of. The machine will pay for itself in a few weeks with savings from hazardous waste collections.





Tel: +44 (0)114 2576022 **Fax:** +44 (0)114 2576222

Email: info@barberofsheffield.com

Web: www.barberveterinary.co.uk / www.barberofsheffield.com

Churchill Way Chapeltown Sheffield England S35 2PY